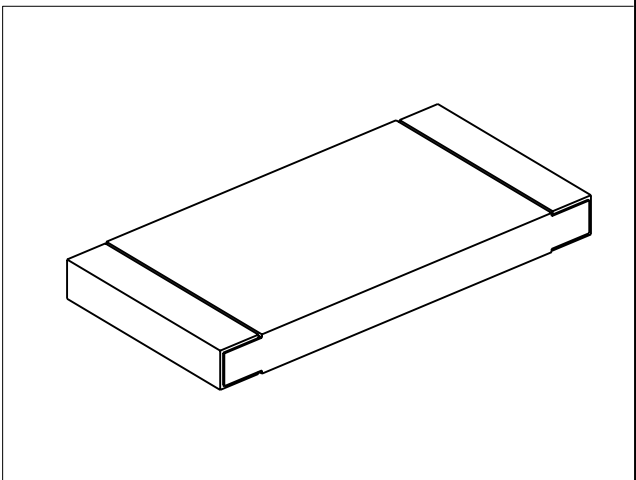


| LOC | DIST | REVISIONS   |                           |           |           |
|-----|------|-------------|---------------------------|-----------|-----------|
| P   | LTR  | DESCRIPTION | DATE                      | DWN       | APVD      |
| E   | B    | BA1         | REVISED PER ECO-11-005150 | 28MAR2011 | RK<br>HMR |
|     |      |             |                           |           |           |
|     |      |             |                           |           |           |



FOR FURTHER INFORMATION SEE DATA SHEET FOR  
3520 SERIES-SMD POWER RESISTORS

RoHS Compliant



2008

RELEASED FOR PUBLICATION

ALL RIGHTS RESERVED.

THIS DRAWING IS UNPUBLISHED.

BY -

© COPYRIGHT 2008

|  |                   |                  |  |            |               |         |
|--|-------------------|------------------|--|------------|---------------|---------|
| DIMENSIONS:<br>mm                      | DWN<br>SUBHASH.M  | 01-DEC-08        | MATERIAL   | -          | FINISH        | -       |
|  | CHK<br>PRAKASH.S  | 01-DEC-08        |  TE Connectivity |            |               |         |
| TOLERANCES UNLESS OTHERWISE SPECIFIED: | APVD<br>STEPHEN.P | 01-DEC-08        |  |            |               |         |
|  | 0 PLC ±0.2        | PRODUCT SPEC     | NAME<br>SMD POWER RESISTOR<br>SERIES 3520  |            |               |         |
| 1 PLC ±0.1                             | -                 |                  |  |            |               |         |
| 2 PLC ±                                | APPLICATION SPEC  | SIZE             | CAGE CODE  | DRAWING NO | RESTRICTED TO |         |
| 3 PLC ±                                | -                 | A 4              | 00779  | C-1622820  | -             |         |
| 4 PLC ±                                | -                 | CUSTOMER DRAWING |  |            |               |         |
| ANGLES ±5°                             | WEIGHT            | -                | SCALE  | 10:1       | SHEET 1 OF 1  | REV BA1 |

